

22 Inches LED Monitor MW-LC22-P2



Features

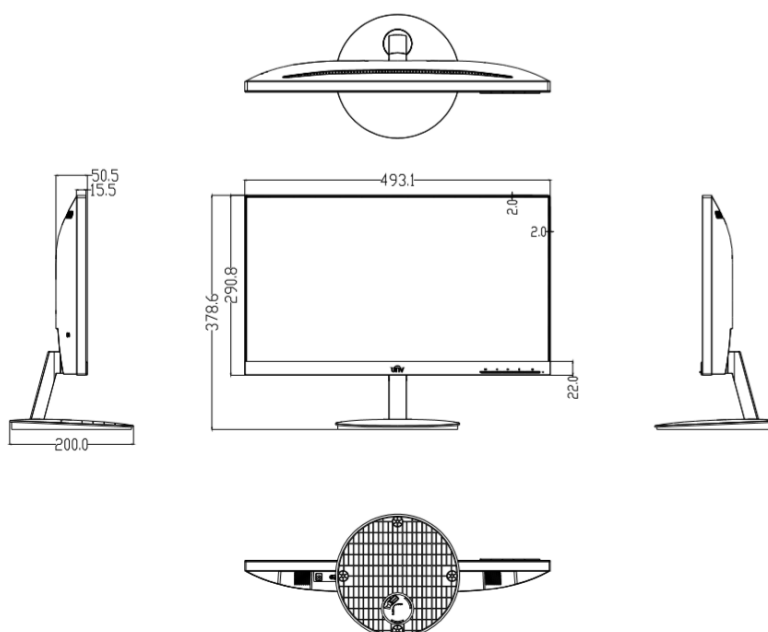
- True color display
- Resolution is up to at 1920*1080
- Wide view of field: 178° (H)/ 178° (V)
- Specific menu design, which is simple to operate
- Adaptively recognize signal
- VESA stand bracket
- Support multiply language

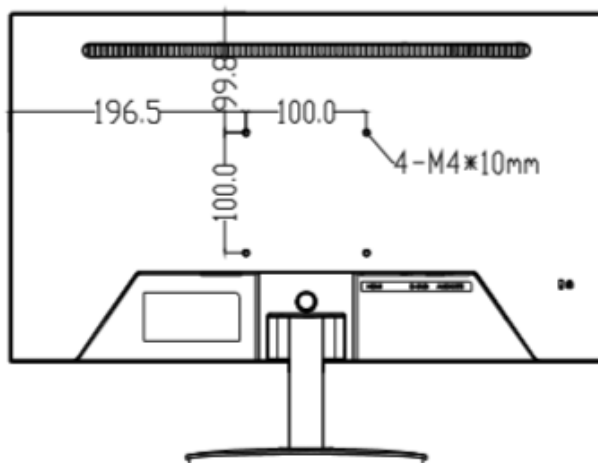
Specifications

MODEL	MW-LC22-P2
PANEL	
Backlight	ELED
Panel Size	22"
Resolution	1920 x 1080
Color Support	16.7M
Brightness (cd/m ²)	250
Contrast ratio	3000:1
Response time (ms)	20
Pixel Pitch (H x V) (mm)	2.24 x 0.24
Viewing Angle (H/V)	178° / 178°
Display Size (mm)	478.6 x 260.2
Refresh Rate	100 Hz
Operation Hour	24/7
Bizel Width	2.0mm (top/left/right), 22.0mm (bottom)
Color Gamut	72% NTSC
Surface Treatment	Haze 25%, 3H
LCD Technology / Panel Type	VA
INTERFACE	

Video Input	1 x VGA (max. 1920 x 1080@60 Hz) 1 x HDMI (max. 1920 x 1080@100 Hz)
Audio Input	1 x Audio In (3.5 mm Mini-Jack)
VESA	
VESA (mm)	100 x 100
Wall-mounted Thread	4-M4 screw hole, 10 mm Deep Thread
OSD	
Multi-Language	12 (English, German, French, Spanish, Italian, Dutch, Chinese, Japanese, Korean, Russian, Portuguese, Turkish)
GENERAL	
Input Voltage	DC 12V, 2A
Typical Power Consumption (W)	< 24
Standby Power Consumption (W)	< 0.5
Product Dimensions (W x H x D) (mm)	493.1 x 290.8 x 50.5 (No Pedestal) 493.1 x 378.6 x 200.0 (With Pedestal)
Package Dimensions (W x H x D) (mm)	557 x 370 x 140
Weight (kg)	Net Weight: 2.3 Gross Weight: 3.4
Operation Temperature	0°C ~ 40 °C
Operation Humidity	10%~90% (No Condensation)
Storage Temperature	10°C ~ 60°C
Storage Humidity	10%~90% (No Condensation)
Material	Plastic
Lifetime (h)	30000
Certifications	CE, FCC
Standard	1 x 1.5m HDMI cable, 1 x Adapter, 1 x Pedestal, 1 x Quick Guide
MTBF (h)	50000

Dimensions





Interface

